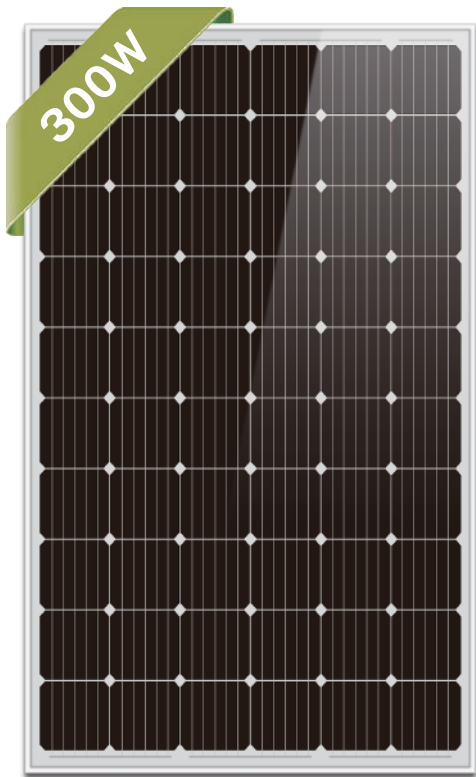


# HomeLifeGoods.com

## Monocrystalline Solar PV Module 60 Cells, 300W



### The main features



**+3W Power and tolerance**  
0~+3W positive power tolerance guarantee



**Anti PID Resistance to the PID**  
Harsh conditions for 96 hours testing qualified (@ 85 °C / 85%).For special severity installation environment, can meet higher standards



**Stronger surface resistance to mechanical loads**  
It has passed the certification of 6000Pa snow load and 3600Pa wind load



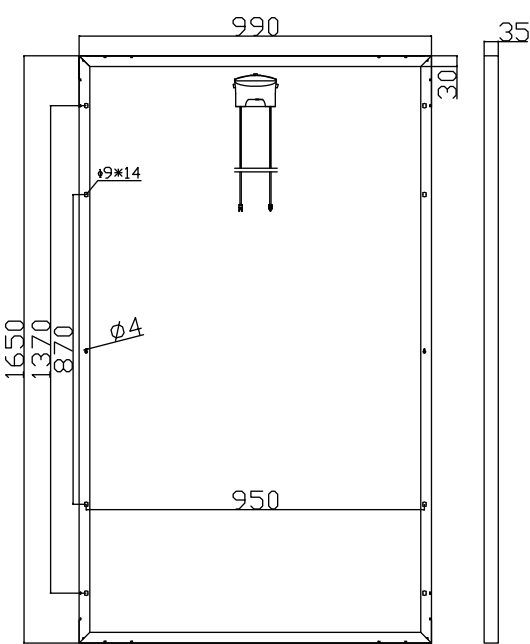
**High reliability and weather resistance**  
Through dust, salt fog, ammonia corrosion test,can effectively deal with the harsh environment



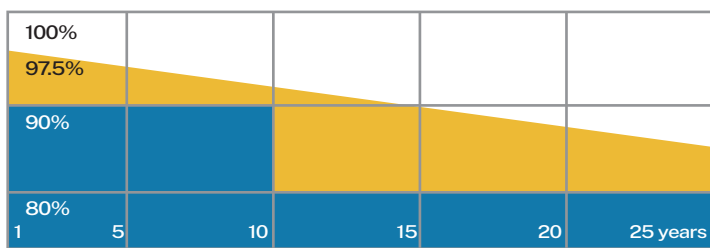
**The hail test**  
It passed the hail test with a diameter of 45mm and a speed of 30.7m/s



**Lower temperature coefficient**  
Better temperature coefficient makes the power attenuation less at high temperature



### Best quality assurance



Shine Solar linear power output warranty

Industry quality assurance

**12** 12 years of product material and process quality assurance

**25** 25 years linear power output warranty



### Product information

#### Monocrystalline 300W

MODEL	SN-M300
Maximum Power/Pmax(Wp)	300
Optimum Operating Voltage/Vmp(V)	30.6
Optimum Operating Current/Imp(A)	9.8
Open Circuit Voltage/Voc(V)	36.72
Short Circuit Current/Isc(A)	10.54
Cell Efficiency	20.55%
Module Efficiency	18.37%
Power Tolerance	0~+3W
Maximum Series Fuse Rating(A)	15A
Maximum System Voltage	1000VDC

#### Maximum Data

Operating Module Temperature	-40 °C to +80 °C	°C
Storage Temperature	From -40 °C to +80 °C	°C
Insulation Cut Voltage	1000	DC
Maximum Wind Resistance	60m/s	N/m <sup>2</sup> or max KM/h
Surface Maximum Load Capacity	200	Kg/m <sup>2</sup>
Maximum Hail Load Capacity	5mm	80km/h

#### Mechanical Characteristics

Number of cells	60(10*6)
Cell Dimension(mm)	156*156
Dimension(mm)	1650*990*35
Weight(Kg)	17
Frame Material	Clear anodized aluminium frame
Thickness of Glass	3.2mm tempered glass
Frame	Anodized aluminum alloy
Laminating Material	EVA (Light transmittance more than 92%)
Backsheet Material	TPT (High weather resistance)
Junction Box	Ip65 (1500V system voltage available)
Output cable	90cm 2x4.0mm <sup>2</sup> MC4 connector
Bus Bar	5BB

#### Temperature Characteristics

Nominal Operating Cell Temperature(NOTC)	45±2 °C
Temperature Coefficient of Pmax	-0.37%/°C
Temperature Coefficient of Voc	-0.29%/°C
Temperature Coefficient of Isc	-0.048%/°C

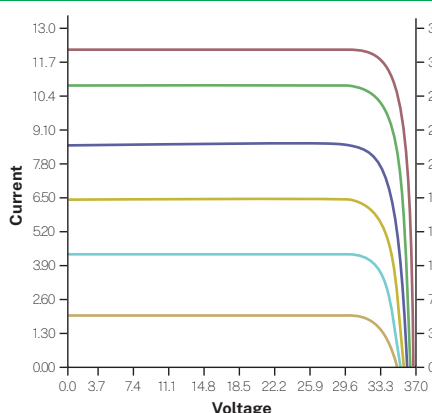
#### STC

AM Condition	AM1.5
Irradiance conditions	1000W/m <sup>2</sup>
Temperature Cell	25 °C

#### Packing Configuration

Container	20'GP	40'HQ
Pieces per container	350	850

#### I-V Curve



- Sun:1200, Vmp:30.054, Pmax:336.321
- Sun:1000, Vmp:30.604, Pmax:301.143
- Sun:800, Vmp:30.486, Pmax:240.499
- Sun:600, Vmp:30.442, Pmax:179.059
- Sun:400, Vmp:30.317, Pmax:117.127
- Sun:200, Vmp:29.806, Pmax:55.134

(SN-M300)

**Caution:** The Installation, Operation and cleaning should be done by professional skills and qualified engineers. Please read the datasheet and Operation manual carefully before installing and Operating the PV modules.